

R

*hea*

R E S I D E N C E



RHEA BUILDING

# MATERIALS CATALOGUE

APARTMENTS

# SUPPLIERS

- Sanitary - *YIOTIS CHRISTOU*
- Apartment Floors - *SANIDECO*
- Carpentry – *XZ IORDANOUS KITCHEN*
- Top & Backsplash GRANITE – *EFPALIA*
- Main & Internal Doors - *DYNAMIC HOUSE SOLOUTIONS*
- Windows – *DYNAMIC HOUSE SOLUTIONS*



Signature:

FOUNDATION & FRAMEWORK	
STRUCTURAL DESIGN	Based on strict earthquake survey according to European standards
	Raft foundation of according to the study each project.
	Columns, beams, and slab made of reinforced C30-37 concrete

WALL	
INTERNAL	Bricks 10cm thick.
EXTERNAL	Bricks 25cm thick

COATINGS	
INTERNAL	Two layers of traditional coating.
EXTERNAL	Intruded polystyrene 8cm in all external surfaces.

INSULATIONS	
ROOF SLAB	Intruded polystyrene 8cm in all roof area, screed, and waterproof insulation. (Must be maintained every 2 years.)
VERANDAS:	Compendious waterproof insulation
FOUNDATION:	Three layers asphalt insulation in a vertical surface of the foundation.

MECHANICAL INSTALLATION	
PIPE in PIPE TECHNOLOGY:	Reliable made in Germany pipe in pipe tubes for hot & cold water
PRESSURE SYSTEM:	Installation of water pressure pump 3 bar.
LAUNDRY MACHINES:	Complete installation of the provision
SOLAR PANEL:	Installation of solar panel for hot water 160 L & water tank of 800L cold water.

ELECTRICAL INSTALLATIONS	
QUALITY OF DESIGN & MATERIALS:	Electrical installations according to EU standards & European materials
INSTALLATION:	Electrical installation 3*30 Amper.
PHONE LINES:	We provide phone lines in kitchen, living room and all bedrooms, connected with CAT6 wire
TELEVISION:	Television points are provided in all bedrooms, kitchen & living rooms.
SOCKETS:	We provide satisfying number of sockets (based on plans) in all areas of the house.
PHONE DOORBELL	Phone doorbell and installation.
ELECTRICAL SHUTTERS	Provision for electrical external shutters only in bedrooms. Provision for the alarm system
ALARM SYSTEM	
PHOTOVOLTAIC	Based on planning permit

PAINTING	
INTERNAL	Spatula, stabilizer & 3 layers of paint.
EXTERNAL	Stabilizer / 2 coats of glue for the thermal system & acrylic <u>grafiato</u>

COOLING	
AIR-CONDITION:	Provision of A/C in all rooms, living <u>rooms</u> kitchen areas of the house.
ELECTRICAL HEATING	Under floor electrical heating.

# EXTERIOR FINISHES (FAÇADE)



White Grafiato



Grey Grafiato



HPL-n/a

BEAMS-n/a



Signature:

# BATHROOM AREA



THE GAP ROUND W/H A3460NL000 BY ROCA  
WITH SOFT CLOSING SYSTEM WHITE A801C4200U BY ROCA



FOR WC (INTERGRATED 116 FOR WALL HUNG) 38642001 BY GROHE



FLOW RESTRICTOR 42300000 BY GROHE



SKATE COSMO DIPLO KOUMBI INTERGRATED CISTERN PHANTOM  
BLACK 38732KF0 GROHE GERMANY



CONFLUO DRAIN PREMIUM 55CM COPR55



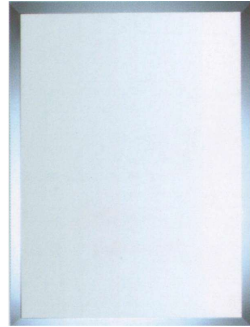
- A. DEVON IWIS WALK-IN IW 100C-100 97-99 FIXED SHOWER PANEL CLEAR 100CM
- B. DEVON IWIS WALK-IN 90CM 87-89 CLEAN-GLASS CHROME REF IW90C-100

Signature:

# BATHROOM AREA



UNIK CUBE BASE UNIT WITH 2 DRAWERS & BASIN  
550MM WHITE GLOSSY A851197806 BY ROCA



MIRROR 60X45 RECTANGULAR BIJOUTE REF: 5291840013779



CUBE0 SINGLE LEVER BASIN MIXER 1/2" M-Size  
MATTE BLACK 1017492430 GROHE GERMANY



CUBE0 SINGLE LEVER SHOWER MIXER  
1/2" MATTE BLACK 1018242430 GROHE  
GERMANY



TEMPESTA CUBE 110 SHOWER RAIL SET 2  
SPRAYS (Rain, Jet) MATTE BLACK 267482433  
GROHE GERMANY



AEGEAN SINGLE TOWEL RAIL 60CM BLACK MAT  
26904-M116 SANCO



AEGEAN TOILET ROLL BLACK MAT 26906-M116 SANCO



AEGEAN TOWER RING BLACK MAT 26909-M116 SANCO

Finished objects may differ from those shown in all 3D. Changes are possible while maintaining the same level of brands and quality.

Signature:

## KITCHEN AREA



PIETRA PLUS KITCHEN SINK **BLACK 78 0X510 PTPL780** BY APPEL ITALY



BLUE PURE MINTA FILTER FAUCET WITH PULL OUT  
MOUSSEUR PHANTOM BLACK 30590KF0 GROHE  
GERMANY

Finished objects may differ from those shown in all 3D. Changes are possible while maintaining the same level of brands and quality.

Signature:

# GENERAL OPENINGS

## INTERIOS DOORS



### Interior doors. Collection CPL Laminated model 1.1

#### ACCESSORIES IN THE PRICE OF DOOR LEAF

Lock: regular key

Two pintle hinges as standard or PRIME

Round flush pull (for sliding doors)

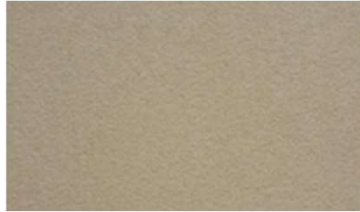
Technical Approval AT-15-3691/2012, ITB Warszawa.

Finished objects may differ from those shown in all 3D. Changes are possible while maintaining the same level of brands and quality.

Signature:

# FLAT 101

## Kitchen Combination



BALANCE CREAM

## Apartment Floor- Ceramic



GREY XZ- AP 02

## Top and Backsplash Taj Mahal



Bathroom 60\*120

Veranda 60\*60

## Bathroom and Veranda Ceramic



Signature:

# FLAT 201

## Kitchen Combination



## Apartment Floor- Ceramic



ATHOS BEIGE MATT

Bathroom 60\*120

Veranda 60\*60

## Bathroom and Veranda Ceramic BALANCE CREAM



## Top and Backsplash Travertino



Signature:

# FLAT 301

## Kitchen Combination



## Apartment Floor- Ceramic



Bathroom 60\*120

Veranda 60\*60

## Bathroom and Veranda Ceramic BALANCE CREAM

## Top and Backsplash Travertino



Signature:

# Electrical Accessories



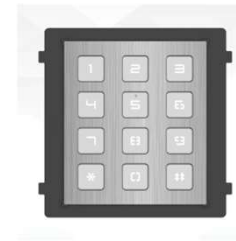
Socket Legrand White  
Plastic Belanko



Switch Legrand White  
Plastic Belanko



Video Intercom Module  
Door Station Hikvision



Keypad Module Hikvision



Video Intercom Indoor 7-Inch  
Touchscreen Black Hikvision

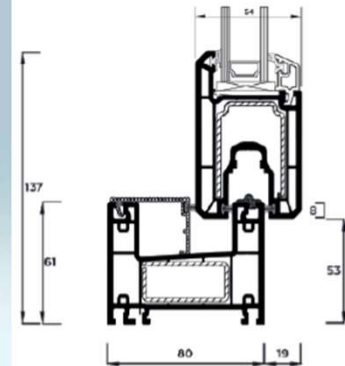
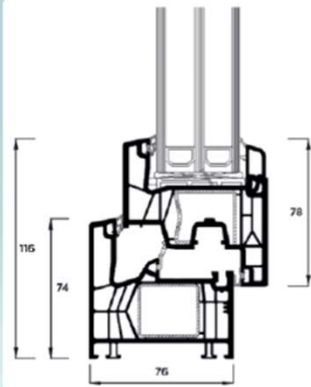
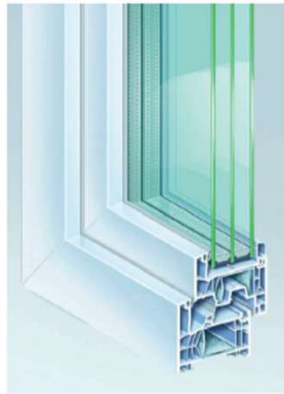


AIR- CONDITIONING – **PROVISION**  
Split Unit System

ELECTRICAL HEATING– UNDERFLOOR

Signature:

# uPVC: KOMMERLING 76MD



- High Thermal Conductivity  $U_w = 0.92 \text{ W/M}^2\text{k}$
- Triple Glazing option (up to 48 mm)
- 3 integrated PCE tires
- Low maintenance costs
- Mechanism 150kg
- 10 Year Warranty Upvc Composite Frames
- 10-year Glazing Warranty



**YOU DREAM IT WE  
BUILT IT !!**

THANK YOU